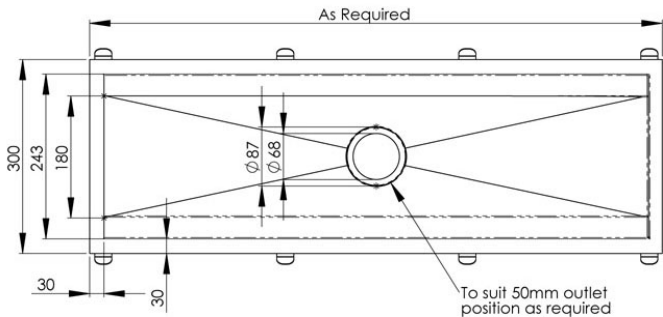


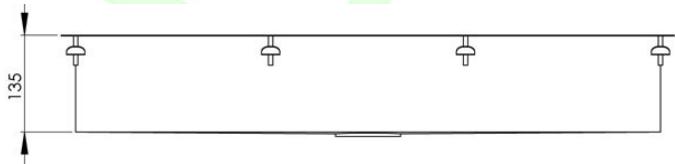
FILL IN AND FAX BACK



M-PT-5 FLUSHLINE TROUGH



LENGTH -
 QTY -
 OUTLET POSITION -
 CENTRE OR
 _____mm TO THE CENTRE OF THE OUTLET FROM THE LEFT
 PLUG AND WASTE REQUIRED (EXTRA COST)?
 YES NO
 OTHER INFORMATION -



(FILL IN IF NEEDED)
 LENGTH -
 QTY -
 OUTLET POSITION -
 CENTRE OR
 _____mm TO THE CENTRE OF THE OUTLET FROM THE LEFT
 PLUG AND WASTE REQUIRED (EXTRA COST)?
 YES NO
 OTHER INFORMATION -



Please fax back to 02 9627 3111

Please note the lead time on MTO products is 8-10 working days

PURCHASE ORDER #
 NAME -
 SIGNATURE -

COMPANY -
 DATE -
 PHONE -