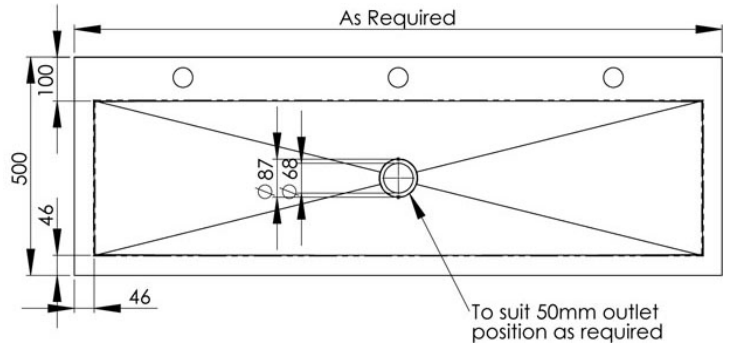


FILL IN AND FAX BACK



# M-PT-4 PATTERN 4 TROUGH



LENGTH -

QTY -

OUTLET POSITION -

CENTRE OR

\_\_\_\_\_mm TO THE CENTRE OF THE OUTLET FROM THE LEFT

SPLASHBACK (EXTRA COST)?

NO  YES HEIGHT -

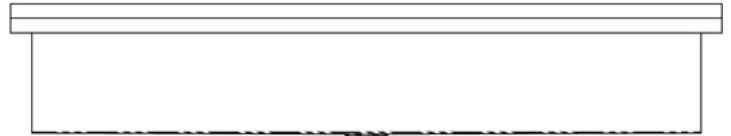
PLUG AND WASTE REQUIRED (EXTRA COST)?

YES  NO

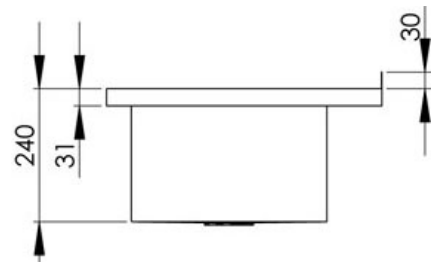
# OF TAP HOLES -

TAP HOLE POSITIONS -

EVENLY SPACED  DRAWN BELOW



OTHER INFORMATION -



Please fax back to 02 9627 3111

Please note the lead time on MTO products is 8-10 working days

PURCHASE ORDER #

NAME -

PHONE # -

SIGNATURE -

COMPANY -

DATE -

