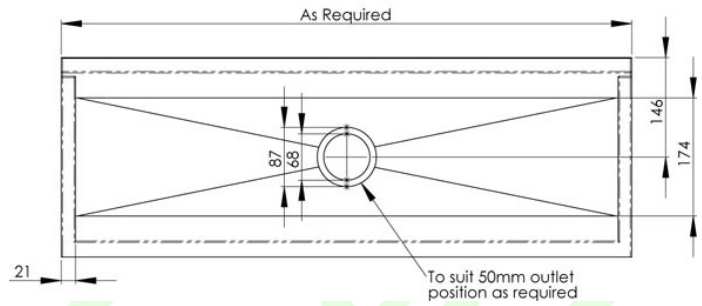


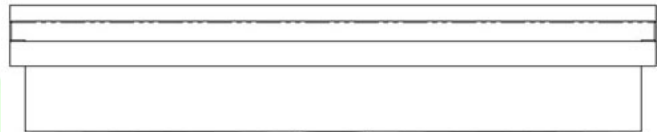


FILL IN AND FAX BACK

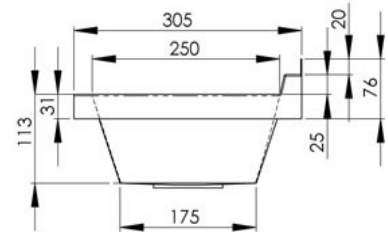
# M-PT-1 PATTERN 1 TROUGH



LENGTH -  
 QTY -  
 OUTLET POSITION -  
 CENTRE OR  
 \_\_\_\_\_mm TO THE CENTRE OF THE OUTLET FROM THE LEFT  
 SPLASHBACK (EXTRA COST)?  
 NO  YES HEIGHT -  
 PLUG AND WASTE REQUIRED (EXTRA COST)?  
 YES  NO  
 OTHER INFORMATION -



(FILL IN IF NEEDED)  
 LENGTH -  
 QTY -  
 OUTLET POSITION -  
 CENTRE OR  
 \_\_\_\_\_mm TO THE CENTRE OF THE OUTLET FROM THE LEFT  
 SPLASHBACK (EXTRA COST)?  
 NO  YES HEIGHT -  
 PLUG AND WASTE REQUIRED (EXTRA COST)?  
 YES  NO  
 OTHER INFORMATION -



Please fax back to 02 9627 3111

Please note the lead time on MTO products is 8-10 working days

PURCHASE ORDER #  
 NAME -  
 SIGNATURE -

COMPANY -  
 DATE -  
 PHONE -