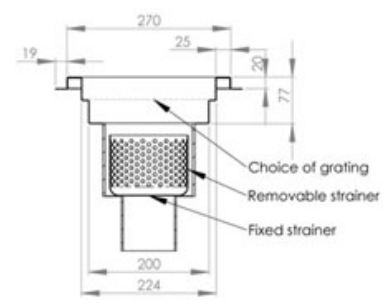
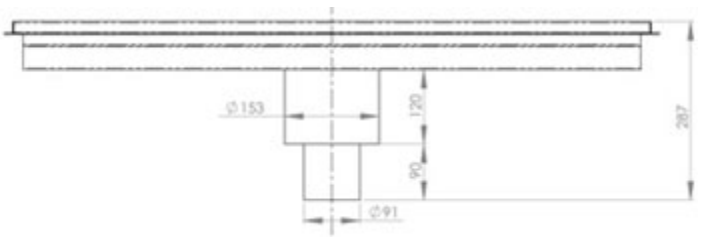
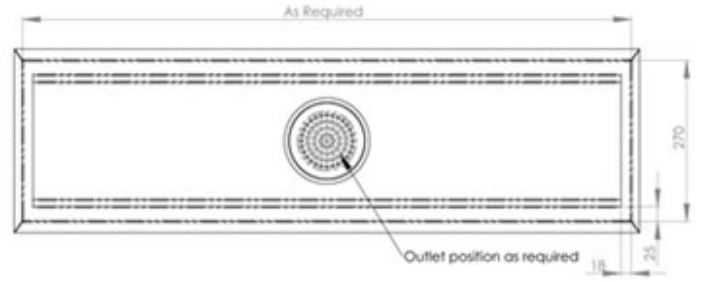


FILL IN AND FAX BACK



# M-FT-1

QTY -

OVERALL MEASUREMENTS

LENGTH -

WIDTH (if different from drawing shown)-

DEPTH (if different from drawing shown) -

GRATING PROFILE

- WEDGE WIRE
- 6x6 SQUARE BAR
- 10x10 SQUARE BAR
- NON SLIP SQUARE BAR

HEEL GUARD

- YES
- NO

STEEL GRADE

- 304
- 316

REMOVABLE STRAINER BASKET WITH FIXED SECONDARY STRAINER

- YES
- NO

OUTLET POSITION

\_\_\_\_\_ mm TO CENTRE OF OUTLET FROM LEFT OR  CENTRE

\_\_\_\_\_ mm TO CENTRE OF OUTLET FROM FRONT OR  CENTRE

LOAD CLASS

- PEDESTRIAN
- CARS/BIKES
- LIGHT COMMERCIAL
- HEAVY COMMERCIAL

OUTLET SIZE (OUTSIDE DIMENSIONS)

\_\_\_\_\_ mm OR

TO SUIT \_\_\_\_\_ mm PIPE

OTHER INFORMATION -

Please fax back to 02 9627 3111

Please note the lead time on MTO products is 8-10 working days

PURCHASE ORDER #

NAME -

COMPANY -

PHONE # -

DATE -

SIGNATURE -

